
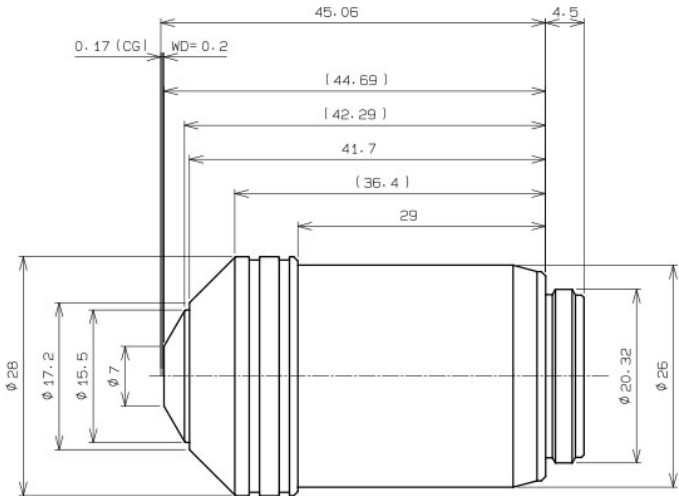


# UPLFLN100XO2PH

Product Name	UPLFLN100XO2PH
Image	
Dimension	
Inquiry	
Web Store	<a href="#">Buy Now</a>
Major Application	Life Science
Magnification [X]	100
Numerical Aperture (NA)	1.3
Working Distance (WD) [mm]	0.2
Objective Field Number [mm]	26.5
Cover Glass Thickness [mm]	0.17
Immersion Medium	Normal Oil
Spring Loaded	Yes
Correction Collar	N/A
Remarks (Correction Collar)	
Iris	N/A
Correction Level of Chromatic Aberration	Semiapochromat (FL)
Parfocalizing Distance [mm]	45

Last updated: Jan 07 2021

Specifications, design and accessories are subject to change without any notice or obligation on the part of the manufacturer.

# UPLFLN100XO2PH

Back Focal Plane (BFP) Position [mm]	-19.1
Type of Screw Thread	W20.32×0.706 (RMS)
Brightfield (Reflected)	N/A
Brightfield (Transmitted)	Good
Darkfield (Reflected)	N/A
Darkfield (Transmitted)	N/A
DIC (Reflected)	N/A
DIC (Transmitted)	Limitation
Phase Contrast	Excellent
Relief Contrast	N/A
Polarization	Limitation
Fluorescence (B, G Excitation)	Good
UV Fluorescence (at 365 nm)	Good
Multiphoton	N/A
TIRF	N/A
IR	N/A
WLI	N/A
Auto Focus	Yes
Product Number	N1561400
UPC Code	1-U2C5352