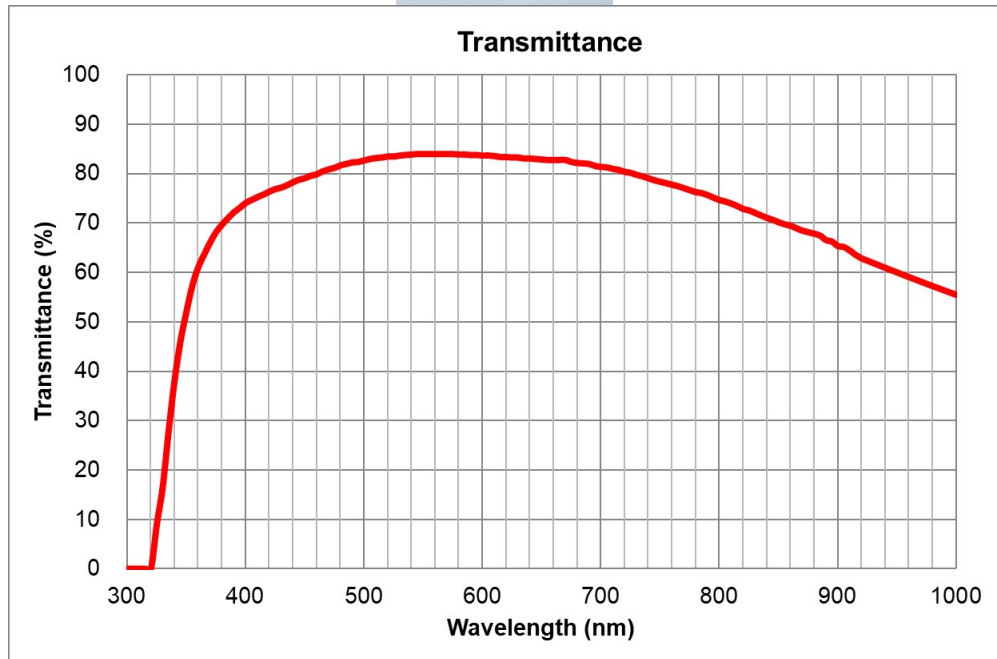


LUMPLFLN60XW

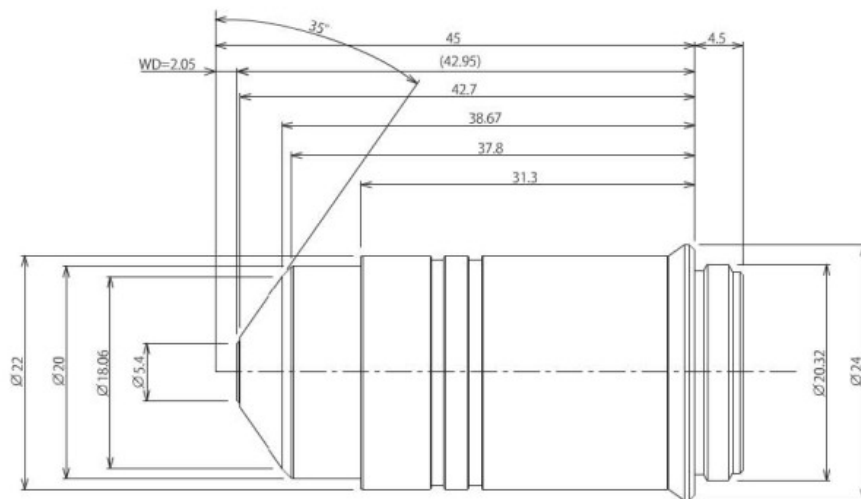
Product Name

LUMPLFLN60XW

Image



Dimension



Inquiry

Major Application

Life Science

Magnification [X]

60

Last updated: Dec 10 2020
 Specifications, design and accessories are subject to change without any notice or obligation on the part of the manufacturer.

LUMPLFLN60XW

| | |
|--|---------------------|
| Numerical Aperture (NA) | 1 |
| Working Distance (WD) [mm] | 2 |
| Objective Field Number [mm] | 26.5 |
| Cover Glass Thickness [mm] | 0 |
| Immersion Medium | Water |
| Spring Loaded | N/A |
| Correction Collar | N/A |
| Remarks (Correction Collar) | |
| Iris | N/A |
| Correction Level of Chromatic Aberration | Semiapochromat (FL) |
| Parfocalizing Distance [mm] | 45 |
| Back Focal Plane (BFP) Position [mm] | -19.1 |
| Type of Screw Thread | W20.32×0.706 (RMS) |
| Brightfield (Reflected) | N/A |
| Brightfield (Transmitted) | Excellent |
| Darkfield (Reflected) | N/A |
| Darkfield (Transmitted) | N/A |
| DIC (Reflected) | N/A |
| DIC (Transmitted) | Good |
| Phase Contrast | N/A |
| Relief Contrast | N/A |
| Polarization | Good |

Last updated: Dec 10 2020

Specifications, design and accessories are subject to change without any notice or obligation on the part of the manufacturer.

LUMPLFLN60XW

| | |
|--------------------------------|-----------|
| Fluorescence (B, G Excitation) | Excellent |
| UV Fluorescence (at 365 nm) | Excellent |
| Multiphoton | Excellent |
| TIRF | N/A |
| IR | N/A |
| WLI | N/A |
| Auto Focus | N/A |
| Product Number | N2667800 |
| UPC Code | 1-U2M592 |

Last updated: Dec 10 2020

Specifications, design and accessories are subject to change without any notice or obligation on the part of the manufacturer.