
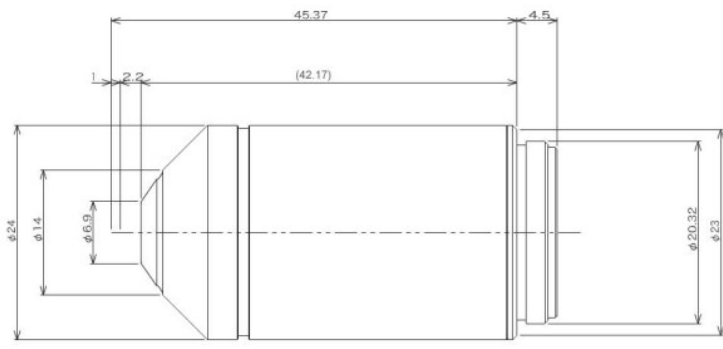


LCACHN40XPH

Product Name	LCACHN40XPH
Image	
Dimension	
Inquiry	
Major Application	Life Science
Magnification [X]	40
Numerical Aperture (NA)	0.55
Working Distance (WD) [mm]	2.2
Objective Field Number [mm]	22
Cover Glass Thickness [mm]	1
Immersion Medium	Air/Dry
Spring Loaded	N/A
Correction Collar	N/A
Remarks (Correction Collar)	
Iris	N/A
Correction Level of Chromatic Aberration	Achromat (ACH)
Parfocalizing Distance [mm]	45
Back Focal Plane (BFP) Position [mm]	-

Last updated: Dec 10 2020

Specifications, design and accessories are subject to change without any notice or obligation on the part of the manufacturer.

LCACHN40XPH

Type of Screw Thread	W20.32x0.706 (RMS)
Brightfield (Reflected)	N/A
Brightfield (Transmitted)	Limitation
Darkfield (Reflected)	N/A
Darkfield (Transmitted)	Limitation
DIC (Reflected)	N/A
DIC (Transmitted)	N/A
Phase Contrast	Good
Relief Contrast	N/A
Polarization	Limitation
Fluorescence (B, G Excitation)	Limitation
UV Fluorescence (at 365 nm)	N/A
Multiphoton	N/A
TIRF	N/A
IR	N/A
WLI	N/A
Auto Focus	N/A
Product Number	N1477700
UPC Code	1-U2C147