
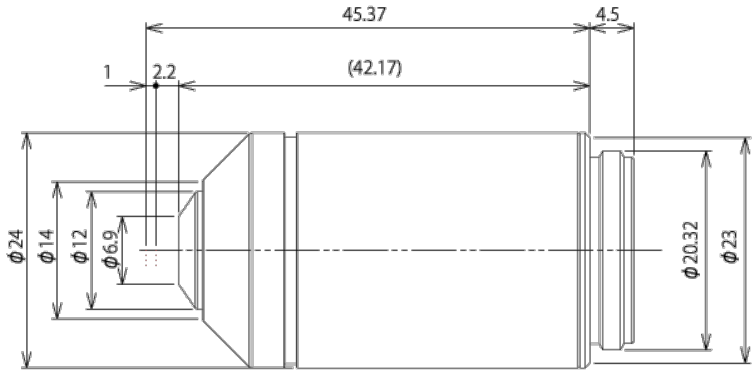


# LCACHN40XIPC

|  |   |
|--|---|
| Product Name                             | LCACHN40XIPC  |
| Image                                    |   |
| Dimension                                |  |
| Inquiry                                  |   |
| Web Store                                | <a href="#">Buy Now</a>   |
| Major Application                        | Life Science  |
| Magnification [X]                        | 40  |
| Numerical Aperture (NA)                  | 0.55  |
| Working Distance (WD) [mm]               | 2.2   |
| Objective Field Number [mm]              | 22  |
| Cover Glass Thickness [mm]               | 1   |
| Immersion Medium                         | Air/Dry   |
| Spring Loaded                            | N/A   |
| Correction Collar                        | N/A   |
| Remarks (Correction Collar)              |   |
| Iris                                     | N/A   |
| Correction Level of Chromatic Aberration | Achromat (ACH)  |
| Parfocalizing Distance [mm]              | 45  |

Last updated: Dec 10 2020

Specifications, design and accessories are subject to change without any notice or obligation on the part of the manufacturer.

# LCACHN40XIPC

|                                      |                    |
|--------------------------------------|--------------------|
| Back Focal Plane (BFP) Position [mm] | -                  |
| Type of Screw Thread                 | W20.32×0.706 (RMS) |
| Brightfield (Reflected)              | N/A                |
| Brightfield (Transmitted)            | Good               |
| Darkfield (Reflected)                | N/A                |
| Darkfield (Transmitted)              | Limitation         |
| DIC (Reflected)                      | N/A                |
| DIC (Transmitted)                    | N/A                |
| Phase Contrast                       | Excellent          |
| Relief Contrast                      | N/A                |
| Polarization                         | Limitation         |
| Fluorescence (B, G Excitation)       | Limitation         |
| UV Fluorescence (at 365 nm)          | N/A                |
| Multiphoton                          | N/A                |
| TIRF                                 | N/A                |
| IR                                   | N/A                |
| WLI                                  | N/A                |
| Auto Focus                           | N/A                |
| Product Number                       | N5229400           |
| UPC Code                             | 1-U2PC147          |

Last updated: Dec 10 2020

Specifications, design and accessories are subject to change without any notice or obligation on the part of the manufacturer.