
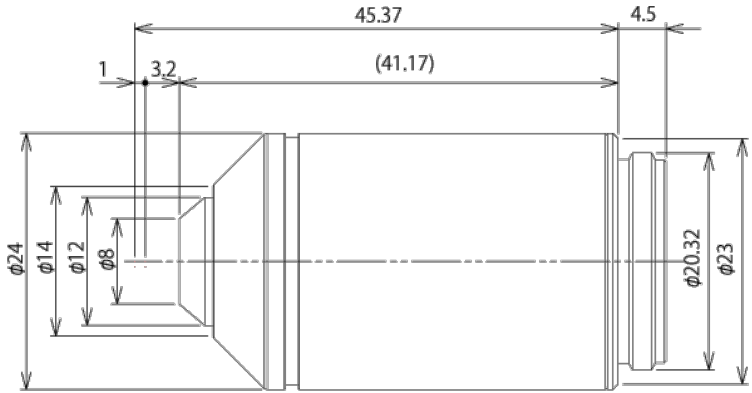


LCACHN20XIPC

Product Name	LCACHN20XIPC
Image	
Dimension	
Inquiry	
Web Store	Buy Now
Major Application	Life Science
Magnification [X]	20
Numerical Aperture (NA)	0.4
Working Distance (WD) [mm]	3.2
Objective Field Number [mm]	22
Cover Glass Thickness [mm]	1
Immersion Medium	Air/Dry
Spring Loaded	N/A
Correction Collar	N/A
Remarks (Correction Collar)	
Iris	N/A
Correction Level of Chromatic Aberration	Achromat (ACH)
Parfocalizing Distance [mm]	45

Last updated: Dec 10 2020

Specifications, design and accessories are subject to change without any notice or obligation on the part of the manufacturer.

LCACHN20XIPC

Back Focal Plane (BFP) Position [mm]	-
Type of Screw Thread	W20.32×0.706 (RMS)
Brightfield (Reflected)	N/A
Brightfield (Transmitted)	Good
Darkfield (Reflected)	N/A
Darkfield (Transmitted)	Limitation
DIC (Reflected)	N/A
DIC (Transmitted)	N/A
Phase Contrast	Excellent
Relief Contrast	N/A
Polarization	Limitation
Fluorescence (B, G Excitation)	Limitation
UV Fluorescence (at 365 nm)	N/A
Multiphoton	N/A
TIRF	N/A
IR	N/A
WLI	N/A
Auto Focus	N/A
Product Number	N5229300
UPC Code	1-U2PC145

Last updated: Dec 10 2020

Specifications, design and accessories are subject to change without any notice or obligation on the part of the manufacturer.