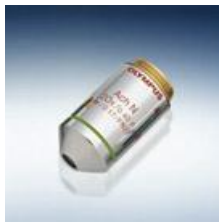
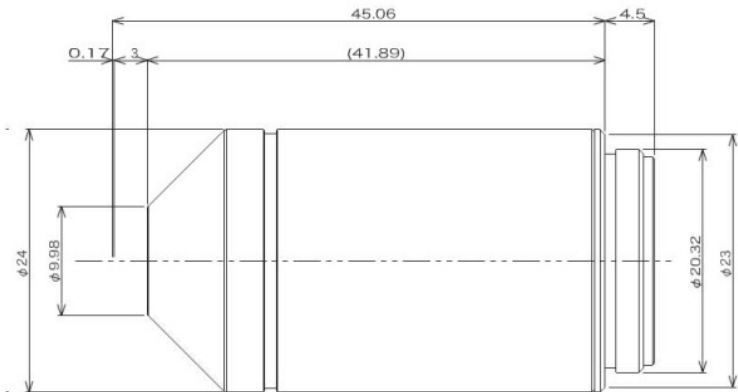


ACHN20XP

Product Name	ACHN20XP
Image	
Dimension	
Inquiry	
Major Application	Life Science
Magnification [X]	20
Numerical Aperture (NA)	0.4
Working Distance (WD) [mm]	3
Objective Field Number [mm]	22
Cover Glass Thickness [mm]	0.17
Immersion Medium	Air/Dry
Spring Loaded	N/A
Correction Collar	N/A
Remarks (Correction Collar)	
Iris	N/A
Correction Level of Chromatic Aberration	Achromat (ACH)
Parfocalizing Distance [mm]	45
Back Focal Plane (BFP) Position [mm]	-

Last updated: Dec 10 2020

Specifications, design and accessories are subject to change without any notice or obligation on the part of the manufacturer.

ACHN20XP

Type of Screw Thread	W20.32x0.706 (RMS)
Brightfield (Reflected)	N/A
Brightfield (Transmitted)	Good
Darkfield (Reflected)	N/A
Darkfield (Transmitted)	Good
DIC (Reflected)	N/A
DIC (Transmitted)	N/A
Phase Contrast	N/A
Relief Contrast	N/A
Polarization	Excellent
Fluorescence (B, G Excitation)	Limitation
UV Fluorescence (at 365 nm)	N/A
Multiphoton	N/A
TIRF	N/A
IR	N/A
WLI	N/A
Auto Focus	N/A
Product Number	N1479800
UPC Code	1-U2D125